



Features:

Tzone+

- Attractive modern look with large LCD and backlight
- Icons driven information and 1 line of text information
- Outdoor temperature sensor input available
- Selectable Fahrenheit or Celsius scale
- Manual Night Set Back override
- Totally programmable (BACzone 424 required)
- Fully versatile
- Real time clock (BACzone 424 required)
- Powerful application flexibility
- USB plug for portable device convenience
- RS-485 communication @ 9600– 115200bps
- Selectable address

| Technical Data | Tzone+ |
|--------------------------|--|
| Power supply | 22..26 VAC 50/60Hz |
| Input | 1 Analog input (thermistor) and 1 Binary input (dry contact) |
| Power consumption | 1 VA |
| Setpoint range | 0°C..30°C [32°F..86°F] |
| Control accuracy | Temperature: ± 0.2°C [±0.4°F] |
| Electrical connection | 0.8 mm ² [16 AWG] maximum |
| Operating temperature | 0°C..50°C [32°F..122°F] |
| Storage temperature | -30°C..50°C [-22°F..122°F] |
| Relative humidity | 10..90 % non-condensing |
| Housing protection level | IP 30 pour [EN 60529] |
| Weight | 120 g [0.24lb] |

Presentation

| Symbols on display | | | | | |
|--------------------|--|---|--|--|---|
| | | Cooling ON 33, 66, 100% output A: Automatic | | Communication Status | Morning |
| | | Heating 33, 66, 100% output A: Automatic | | Menu set-up Lock | Day |
| | | Humidify/Dehumidify 33, 66, 100% output A: Automatic | | Programming mode (Technician setting) | Evening |
| | | Fan ON 3 speed activated A: Automatic | | Alarm Status | Night |
| | | °C: Celsius scale °F: Fahrenheit scale | | Percentage of humidity | AM PM Morning Afternoon |
| | | | | | MO TU WE TH FR SA SU Day of the week |

Dimensions

| Dimensions | Inches | Metric (mm) |
|------------|--------|-------------|
| A | 2.85 | 73 |
| B | 4.85 | 123 |
| C | 1.00 | 24 |
| D | 2.36 | 60 |
| E | 3.27 | 83 |

Mounting Instructions

CAUTION: Risk of malfunction. Remove power prior to separate thermostat cover from its base.

- Remove the screw (captive) holding the base and the front cover of the thermostat.
- Lift the front cover of the thermostat to separate it from the base.
- Pull wire through the base hole.
- Secure the base to the wall using wall anchors and screws (supplied). Make the appropriate connections.
- Mount the control module on the base and secure using the screw.

Terminal Description

| | | |
|--|-----------------|--|
| <p>COM ① Ⓢ 24 Vac ② Ⓢ ③ Ⓢ AI ④ Ⓢ BI ⑤ Ⓢ RS-485 (Tzone) A+ ⑥ Ⓢ B- ⑦ Ⓢ RS-485 (BACnet) A+ ⑧ Ⓢ B- ⑨ Ⓢ</p> | Terminal | Tzone+ |
| | TB1 | 1 Common |
| | | 2 24 VAC |
| | | 3 Unused |
| | | 4 Analog input (Thermistor or dry contact) * |
| | | 5 Binary input (Dry contact) * |
| | | 6 A+ 7 B- Communication RS-485 (Tzone) |
| | | 8 MS/TP+ 9 MS/TP- Communication port (BACnet MS/TP) |
| <p>* The processing of these inputs is made by the application program (only the "counts" value is available)</p> | | |

Settings on PC Board

DS1
ON
1 2 3 4 5 6 7 8

DIP switch for configuration

TB1
1 2 3 4 5 6 7 8 9

JP1
RESV RUN
Reserved

Temperature sensor

DIP Switch (DS1)

ON
1 2 3 4 5 6 7 8

Address Baud rate

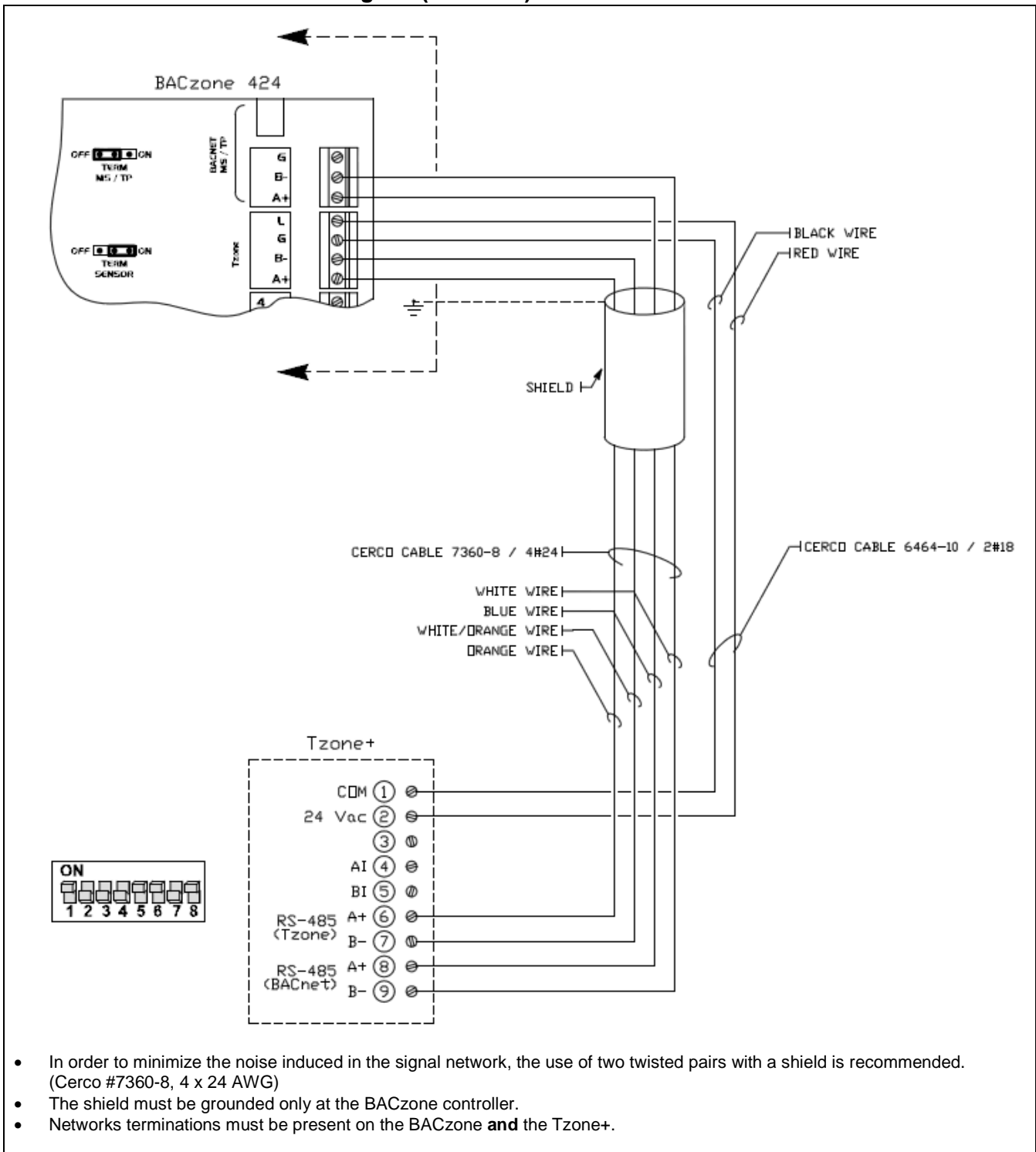
End of line 120 ohm

| Address | | Baud rate | |
|-----------|--|-----------|-----------|
| Positions | | Positions | Baud rate |
| 0100 | | | 9 600 |
| 1100 | | | 19 200 |
| 0010 | | | 38 400 |
| 0110 | | | 76 800 |
| 1110 | | | 115 200 |
| 0001 | | | 230 400 |
| 1001 | | | 460 800 |
| default | | | 76 800 |

Example: address 1

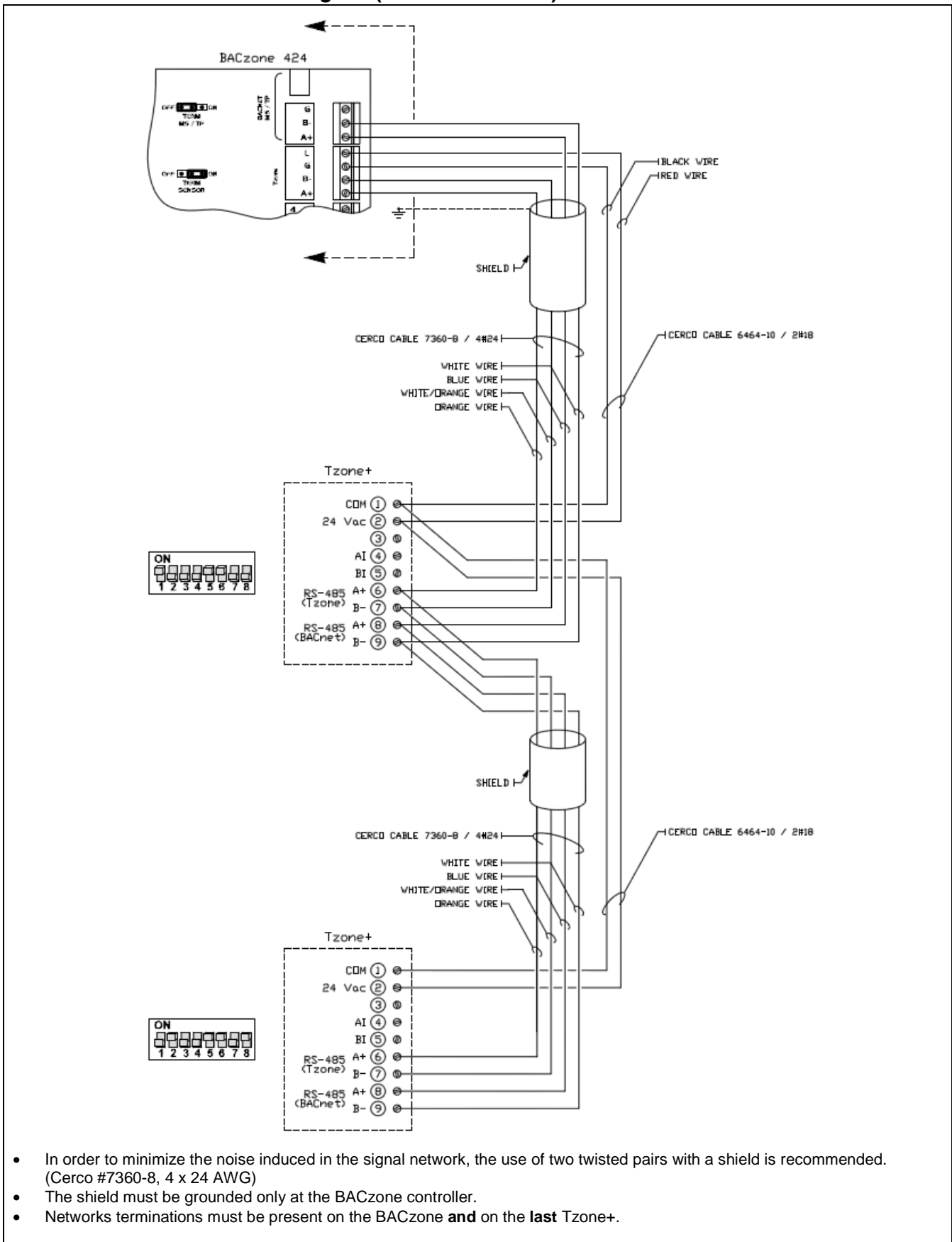
Note : 3 OFF position DIP switch = address 8

Tzone+ and BACzone network diagram (1 Tzone+)



- In order to minimize the noise induced in the signal network, the use of two twisted pairs with a shield is recommended. (Cerco #7360-8, 4 x 24 AWG)
- The shield must be grounded only at the BACzone controller.
- Networks terminations must be present on the BACzone **and** the Tzone+.

Tzone+ au BACzone network diagram (2 Tzone+ or more)



- In order to minimize the noise induced in the signal network, the use of two twisted pairs with a shield is recommended. (Cerco #7360-8, 4 x 24 AWG)
- The shield must be grounded only at the BACzone.
- Networks terminations must be present on the BACzone and on the last Tzone+.

Recycling at end of life



At end of life, please return the thermostat to your Strato Automation local distributor for recycling. If you need to find the nearest Strato Automation authorized distributor, please consult www.stratoautomation.com.